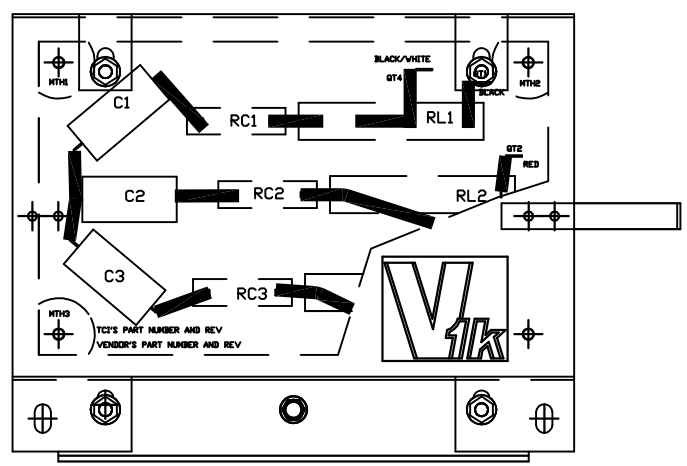
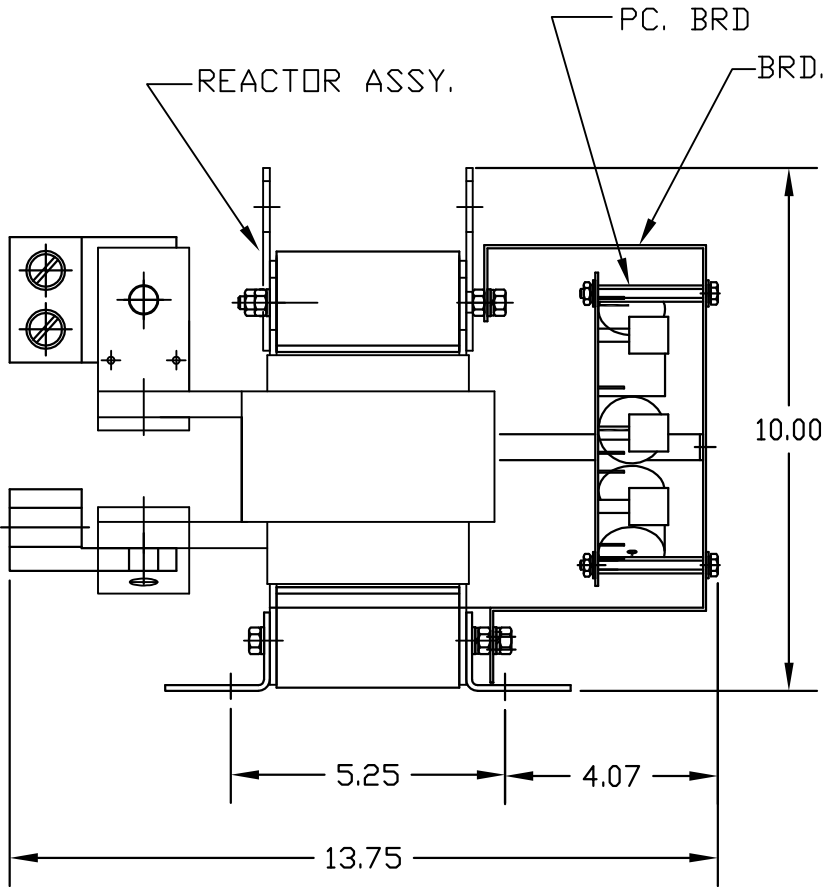
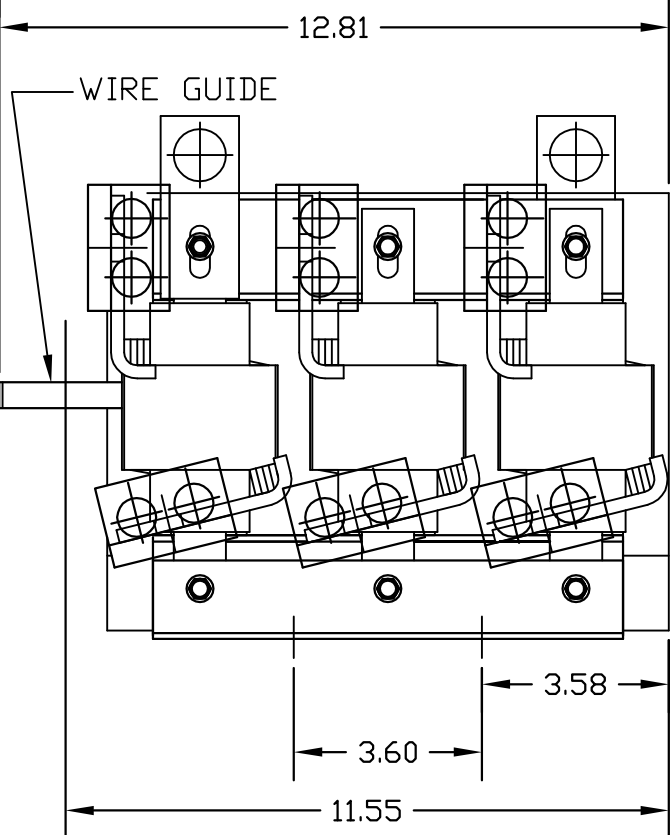
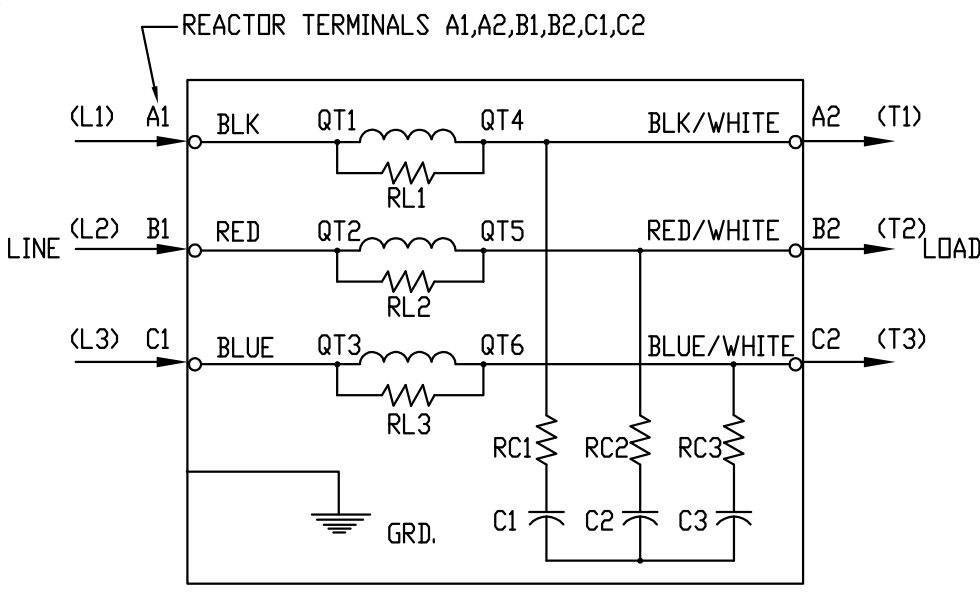
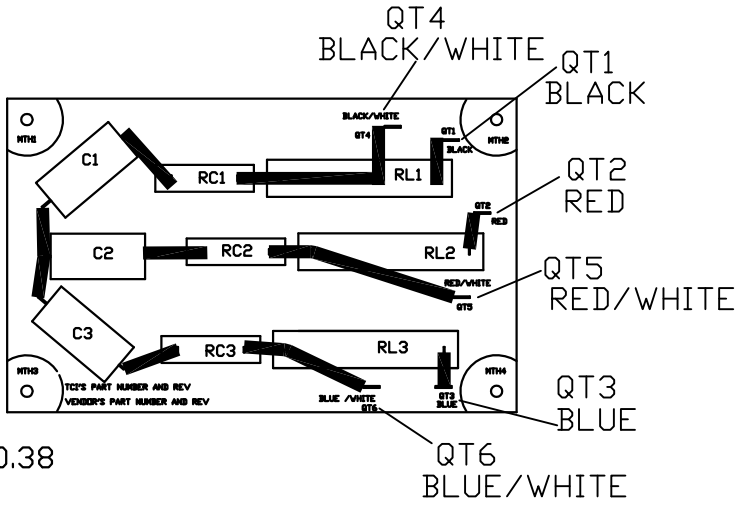
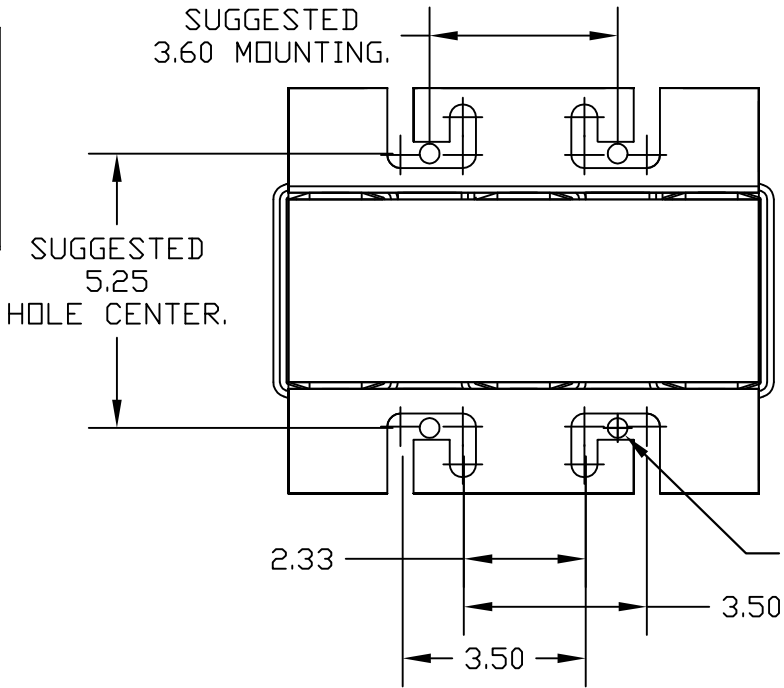
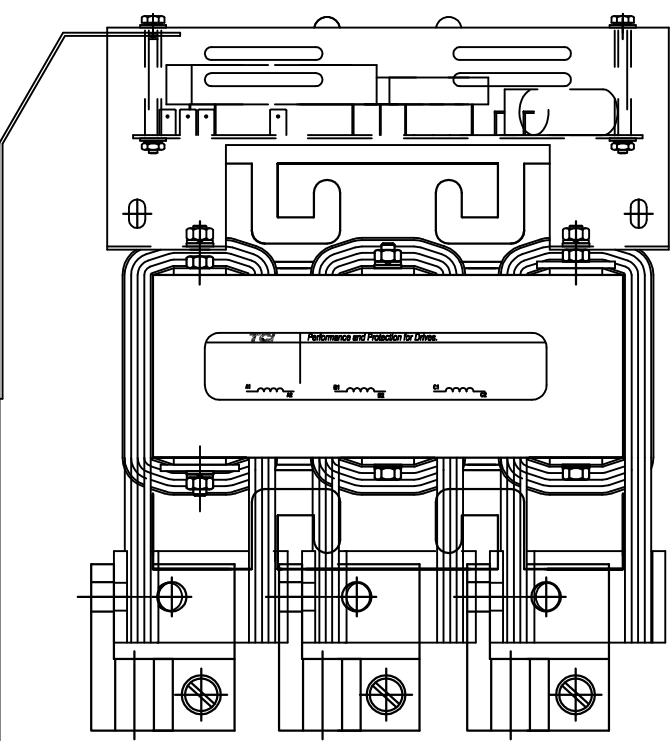


SPECIFICATIONS:	
AMP.	480
VOLT	240-600
PHASE	3
HZ	60
WEIGHT, LBS.	100
OPEN VERSION	



REAR VIEW

REACTOR AND BOARD ASSEMBLY CONNECTIONS

TOLERANCE UNLESS OTHERWISE NOTED:	
MOUNTING	+/- .06
OVERALL	+/- .12

"SEE V1K INSTALLATION GUIDE FOR TERMINAL WIRE SIZE AND TORQUE"

CUSTOMER IS RESPONSIBLE FOR INSTALLATION TO MEET ALL NATIONAL AND LOCAL ELECTRICAL CODES.

TCl, LLC CLAIMS PROPRIETARY RIGHTS IN THE MATERIAL HEREIN DISCLOSED. IT IS SUPPLIED WITHOUT PREJUDICE TO ANY PATENT RIGHTS OF TCl AND MAY NOT BE REPRODUCED OR USED TO MANUFACTURE ANYTHING SHOWN THEREIN WITHOUT WRITTEN PERMISSION FROM TCl.

3216	ADD SEE GUIDE	10/29/14	DSW
NO	REVISION	DATE	BY

TOLERANCES (EXCEPT AS NOTED)	
DECIMAL	
.XX	± .03
.XXX	± .005
FRACTIONAL	
±	1/32
ANGULAR	
±	1/2°

TCl W132 N10611 GRANT DRIVE GERMANTOWN, WI 53022

V1K480A00, OUTPUT FILTER
480 AMP, OPEN VERSION

DRN. BY	RJC	DATE	5/20/05	DWG. NO.	102658DG
SCALE	NONE	SIZE	B	SHT.1 OF1	